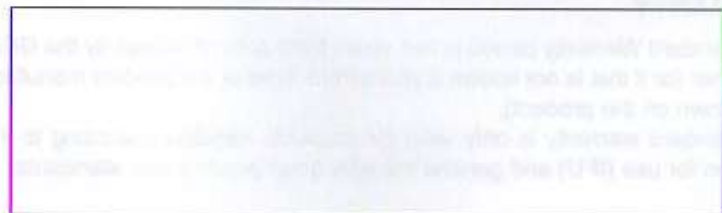


GCE Group is one of the world's leading companies in the field of gas control equipment. The headquarters are in Malmö, Sweden, and the two major supply units are located in Europe and Asia.

The company operates 15 subsidiaries around the world and employs more than 850 people. GCE Group includes four business areas – Cutting & Welding, Process Applications, Medical and High Purity. Today's product portfolio corresponds to a large variety of applications, from single pressure regulators and blowpipes for cutting and welding to sophisticated gas supply systems for medical and electronics industry applications.



Gas Control Equipment
GCE world-wide: <http://www.gcegroup.com>

Document Nr.: 735500100001; Date of issue: 2014-02-03; Rev.: 01; TI: A6, CB, V1

REGULÁTOR TLAKU - RTP 21 - TYP CN 61

EN

REGULÁTOR TLAKU - RTP 21 - TYP CN 61

CS

PRESSURE REGULATOR - RTP 21 - TYP CN 61

SK

REGULATORA - RTP 21 - TYP CN 61

LV

INSTRUCTION FOR USE

NÁVOD K POUŽITÍ

NÁVOD NA OBSLUHU

LIETOŠANAS INSTRUKCIJA



1/12

GCE
Security in action

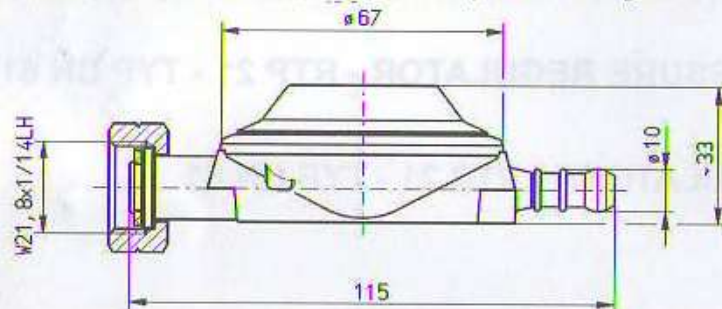
EN

1. APPLICATION

The regulators are designed for supply of gaseous propane or propane butane with required pressure to gas consumers (cooking, stoves, ovens, grilles, water heaters) combusting these gases.

2. DESCRIPTION

Regulators RTP 21 - Typ CN 61 decrease automatically the overpressure of the gas extracted from the pressure cylinder, and maintain it on a stated level. See the table for the values of outlet overpressure and gas flow.



| Type | RTP 21 TYP CN 61 | |
|----------------------------------|-----------------------|-------|
| Gas application | propan, propan-butane | |
| Inlet overpressure | (bar) | 1 - 8 |
| Nominal outlet overpressure | (mbar) | 30 |
| Nominal flow | (kg/h) | 1,5 |
| Max. permissible gas temperature | (°C) | 50 |
| Weight | (kg) | 0,228 |

3. OPERATING INSTRUCTIONS

After every replacement of the cylinder and in any suspicion that gas leaks it is necessary to check the connection between the cylinder, the pressure regulator and connected hose for tightness by means of leak detection fluid. If the connection cannot be sealed by tightening, replace the sealing ring. During a leak test, the cylinder valve must be opened. Before every disconnection of the regulator it is, first of all, necessary to close the cylinder valve (by turning the hand wheel to the right), and only after that unscrew the cap nut of the regulator (also by its turning to the right - the nut has a left thread).

- The closure before a consumer or pressure cylinder valve shall always be closed, if the consumer is not operated. If the cylinder is in the same room as the consumer, the cylinder valve must be closed.



EN

- The mechanically damaged regulators must not be used.
- In case of any doubt as to the correct function of the regulator or tightness of the whole inlet piping of the gas consumer, call for an authorized installation company.

Be sure that no water can get into the hole device situated under the aluminium sticker and, at the same time, be sure that nothing can close the hole.

Observing these principles you ensure reliable operation of your gas consumer.

4. CONNECTION OF REGULATOR

Regulators RTP 21 - Type CN 61 are connected to pressure cylinder with propane or propane butane or to the distribution piping of set of cylinder by means of the cap nut W 21.8 x 1/14" LH.

The nut has a hexagon for wrench s=27mm. The hose adapter at the governor outlet is connected through the rubber hose with a consumer or rigid gas piping that is connected to the consumer. The hose is secured on the adapter by means of a hose clip.

5. MAINTENANCE - SERVICEING - REPAIRS

Besides the leakage test the regulators do not need any operational maintenance. If after a long operation there is an internal leak of the regulator with gas escape through the opening in the cover, the regulator is irreparable and must be replaced.

6. LIFETIME

Product's lifetime is 10 years. 10 years from the date of production (see marking on the regulator's body) the pressure regulator must be replaced, regardless of its good functioning (PR. EN 12864)

7. WARRANTY

The Standard Warranty period is two years from date of receipt by the GCE Customer (or if this is not known 2 years from time of the product manufacture shown on the product).

The standard warranty is only valid for products handled according to Instruction for use (IFU) and general industry good practice and standards.

Manufacturer:

GCE, s. r. o. Tel.: +420 569 661 121
 Žižkova 381 Fax: +420 569 661 107
 583 81 Chotěboř www.gcegroup.com
 Czech Republic © GCE s.r.o.