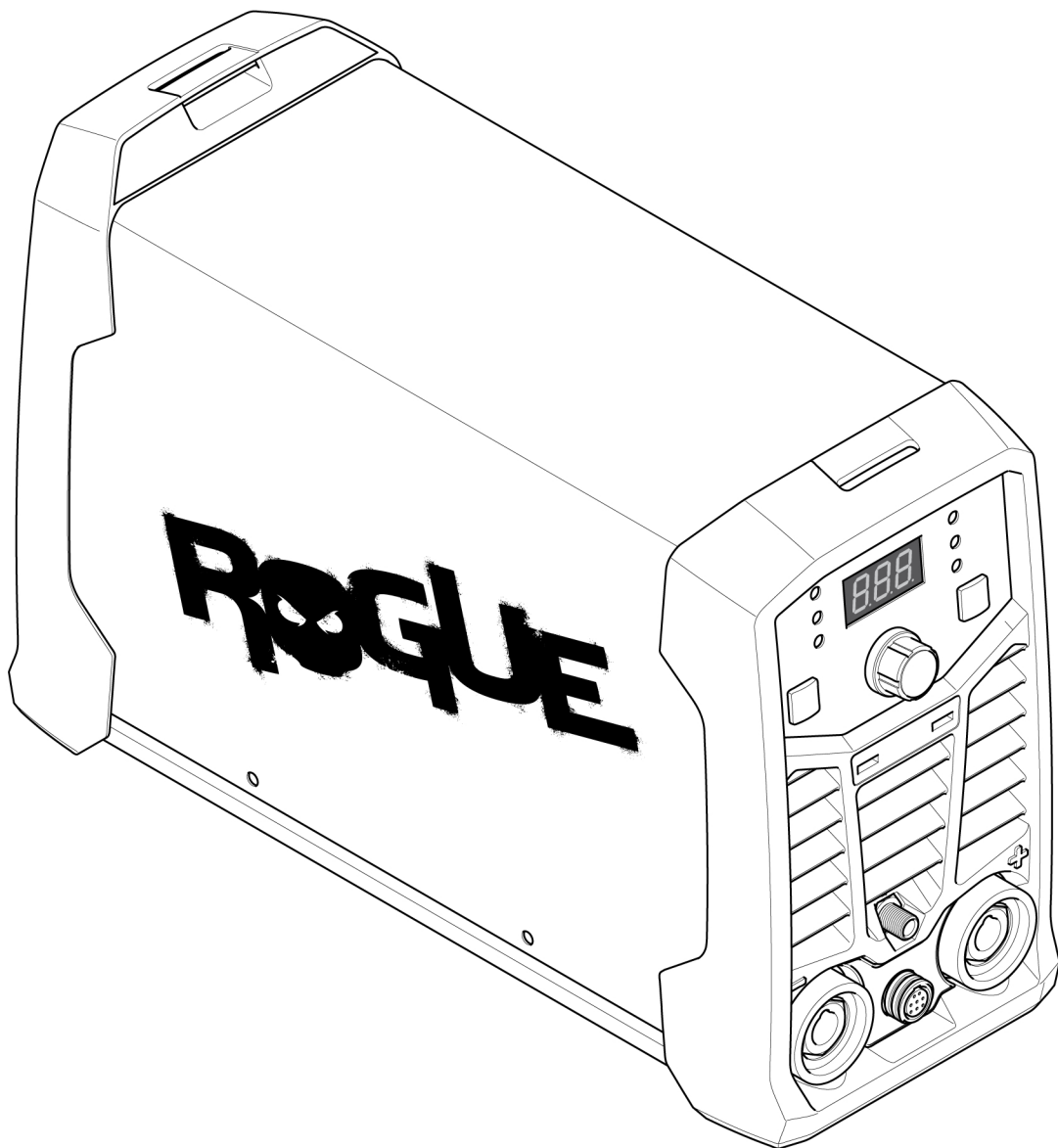


ET 180i, ET 200iP, ET 200iP PRO



Spare parts list

Ordering no.	Product	Notes	Serial no.
0700 500 080	Rogue ET 180i	Europe, CE	HA026-xxxx-xxxx
0700 500 075	Rogue ET 200iP	India	HA027-xxxx-xxxx
0700 500 081	Rogue ET 200iP Pro	Europe, CE	HA027-xxxx-xxxx
0700 500 083	Rogue ET 200iP Pro	Middle East and Africa, MEA	HA027-xxxx-xxxx
0700 500 093	Rogue ET 200iP Pro	Southeast Asia, SEA	HA027-xxxx-xxxx

Spare parts may be ordered through your nearest ESAB dealer, see esab.com. When ordering, please state product type, serial number, denominations and ordering numbers according to the spare parts list. This facilitates dispatch and ensures correct delivery.

Maintenance and repair work should be performed by an experienced person, and electrical work only by a trained electrician. Use only recommended spare parts.

1 SPARE PARTS 4

1 SPARE PARTS

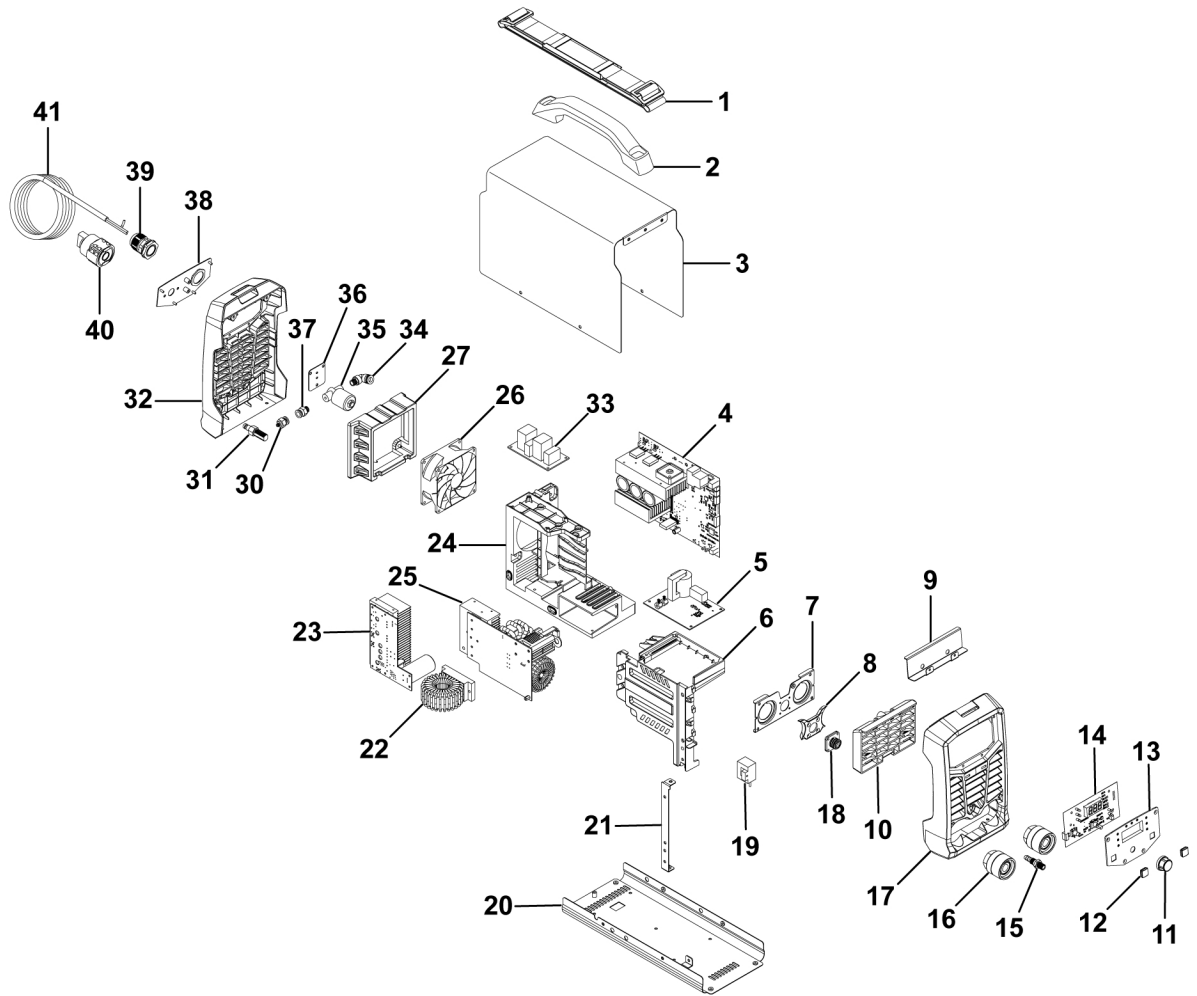
Item	Qty	Ordering no.	Denomination	Model and region	Notes
1	1	0464 670 003	Belt		
2	1	0464 670 007	Handle		
3	1	0464 676 007	Case		
4	1	0464 676 004	IGBT inverter board and main PCB	ET 180i EU, ET 200iP India	
		0464 676 030		ET 200iP PRO EU, MEA	
5	1		High frequency board		Included in item 102
6	1		Arcing plate holder		Included in item 102
7	1	0464 670 010	Output retaining plate		
8	1		Sleeve socket plate with sticker		Included in item 104
9	1		Front shield plate		Included in item 101
10	1	0464 670 011	Louver		
11	1		Potentiometer knob		Included in item 101
12	2		Key rubber sleeve		Included in item 101
13	1		Front mounting plate with labels		Included in item 101
14	1		Digital display board		Included in item 101
15	1	0464 671 006	Argon gas connection		
16	2	0464 671 004	Quick connector		
17	1	0464 674 004	Front plastic panel		
18	1		Sleeve socket 8 pole with harness		Included in item 104
19	1	0464 670 006	Hall sensor with harness		
20	1	0464 670 025	Base plate	ET 180i EU	
	1	0464 670 026		ET 200iP PRO EU, SEA, MEA	
	1	0464 670 027		ET 200iP India	
21	1	0464 674 017	Grounding strip		
22	1	0464 674 008	PFC electrical inductance	ET 200iP PRO EU, MEA, SEA	
23	1	0464 676 023	PFC board	ET 200iP PRO EU, MEA, SEA	
24	1	0464 670 008	Movement bracket		
25	1		Rectifier plate		Included in item 102
26	1	0464 674 003	Fan		
27	1	0464 670 012	Air flow deflector		

1 SPARE PARTS

Item	Qty	Ordering no.	Denomination	Model and region	Notes
30	1	0464 676 026	Gas connector		
31	1	0464 671 007			
32	1		Plastic back plate assembly		Included in item 103
33	1	0464 673 007	EMC filter board	ET 200iP PRO EU, MEA, SEA	
	1	0464 673 002		ET 180i EU, ET 200iP India	
34	1	0464 676 031	Gas connector		
35	1	0464 674 018	Gas solenoid and harness		
36	1	0464 676 028	Gas valve holding plate		
37	1	0464 676 027	Gas connector		
38	1		Fixed plate on back panel		Included in item 103
39	1	0464 674 002	Cable Gland		
40	1	0464 674 013	Mains switch 0-1		
41	1	0464 674 011	Mains cable	ET 180i EU, SEA, ET 200iP PRO EU, SEA	
	1	0464 674 009		ET 200iP India, ET 200iP PRO MEA	

Spare part kits

Item	Ordering no.	Denomination	Model and region	Notes
101	0464 676 881	Digital display board set	ET 200iP PRO EU, SEA, MEA	Includes item 9, 11, 12, 13, 14, plastic supporter, front control panel label, screw assembly set M3×8 and M3×14
	0464 676 883		ET 180i EU	
	0464 676 882		ET 200iP India	
102	0464 671 886	Rectifier board kit		Includes item 5, 6, 25, Earth flat cable, screw assembly set M4×20, M4×12 and M4×8
103	0464 672 883	Back plastic panel	ET 200iP PRO EU, SEA, MEA	Includes item 32, 38, hexagon nut and sticker
	0464 672 884		ET 180i EU	
	0464 671 885		ET 200iP India	
104	0464 671 881	Sleeve socket 8 pin with harness set		Includes item 8 and 18, screw M3×12, hexagon nut M3 and sticker





A WORLD OF PRODUCTS AND SOLUTIONS.



For contact information visit <http://esab.com>

ESAB AB, Lindholmsallén 9, Box 8004, 402 77 Gothenburg, Sweden, Phone +46 (0) 31 50 90 00

<http://manuals.esab.com>

