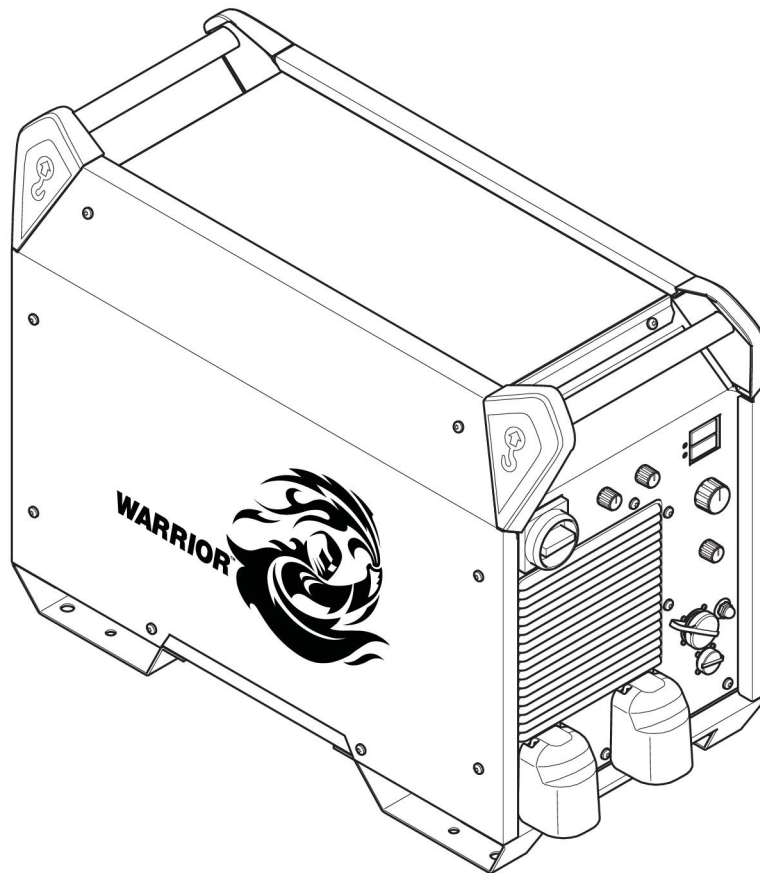




Warrior™ 750i CC/CV



Spare parts list

Ordering no.	Product	Notes	Serial no.
0445 555 880	Warrior™ 750i CC/CV	Europe, CE	038-xxx-xxxx
0445 555 882	Warrior™ 750i CC/CV	Australia	038-xxx-xxxx

Spare parts may be ordered through your nearest ESAB dealer, see esab.com. When ordering, please state product type, serial number, denominations and ordering numbers according to the spare parts list. This facilitates dispatch and ensures correct delivery.

Maintenance and repair work should be performed by an experienced person, and electrical work only by a trained electrician. Use only recommended spare parts.

SPARE PARTS 4

Housing module 4

Mains module..... 6

Secondary connection module 8

Louver assembly 10

Power module 11

Control module..... 15

User interface module..... 16

IPS module 17

Bottom/Top primary inverter 18

Secondary rectifier module 19

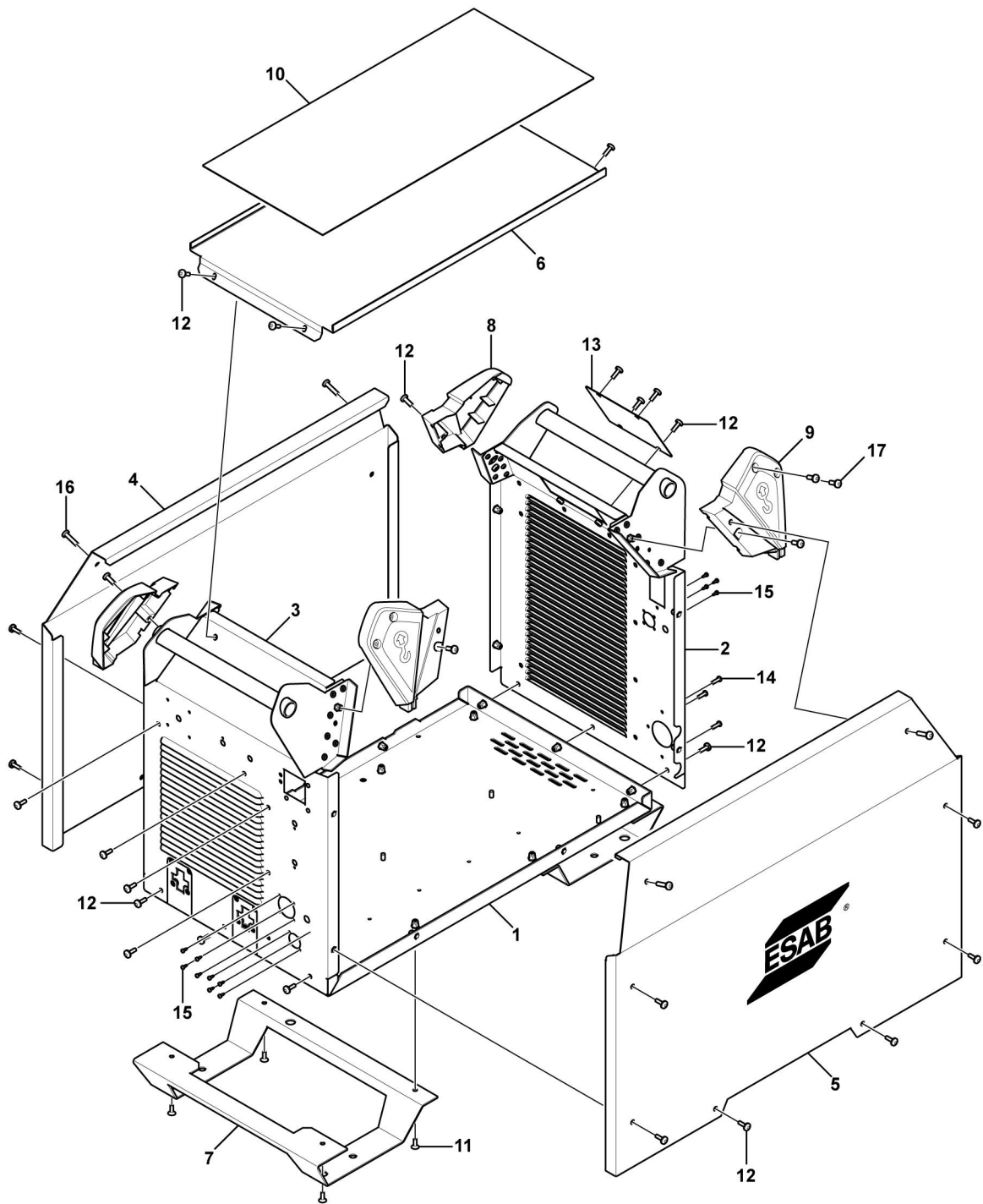
Bridge rectifier module 20

Fan module 21

 SPARE PARTS

Housing module

Item	Qty	Ordering no.	Denomination	Notes	Component designation
1	1	0445 561 880	Bottom panel assembly		
2	1	0445 563 880	Rear panel assembly		
3	1	0445 566 880	Front panel assembly		
4	1	0445 571 880	Side panel left	With Warrior logo printed	
5	1	0445 571 881	Side panel right	With ESAB logo printed	
6	1	0445 569 001	Top panel		
7	2	0445 572 001	Foot		
8	2	0445 576 001	Handle corner part		
9	2	0445 576 002	Handle corner part, mirrored		
10	1	0445 574 001	Rubber mat		
11	8		Screw	MFT-TT M6×16	
12	52		Screw	MRT M6×16 Black	
13	1	0445 708 001	Cover plate		
14	3		Screw	rx-pt 8-16×20	
15	12		Screw	RTS St 3.5×9.5	
16	4		Screw	MRT M6×25 Black	
17	8		Screw	MRT 6×12 Black	

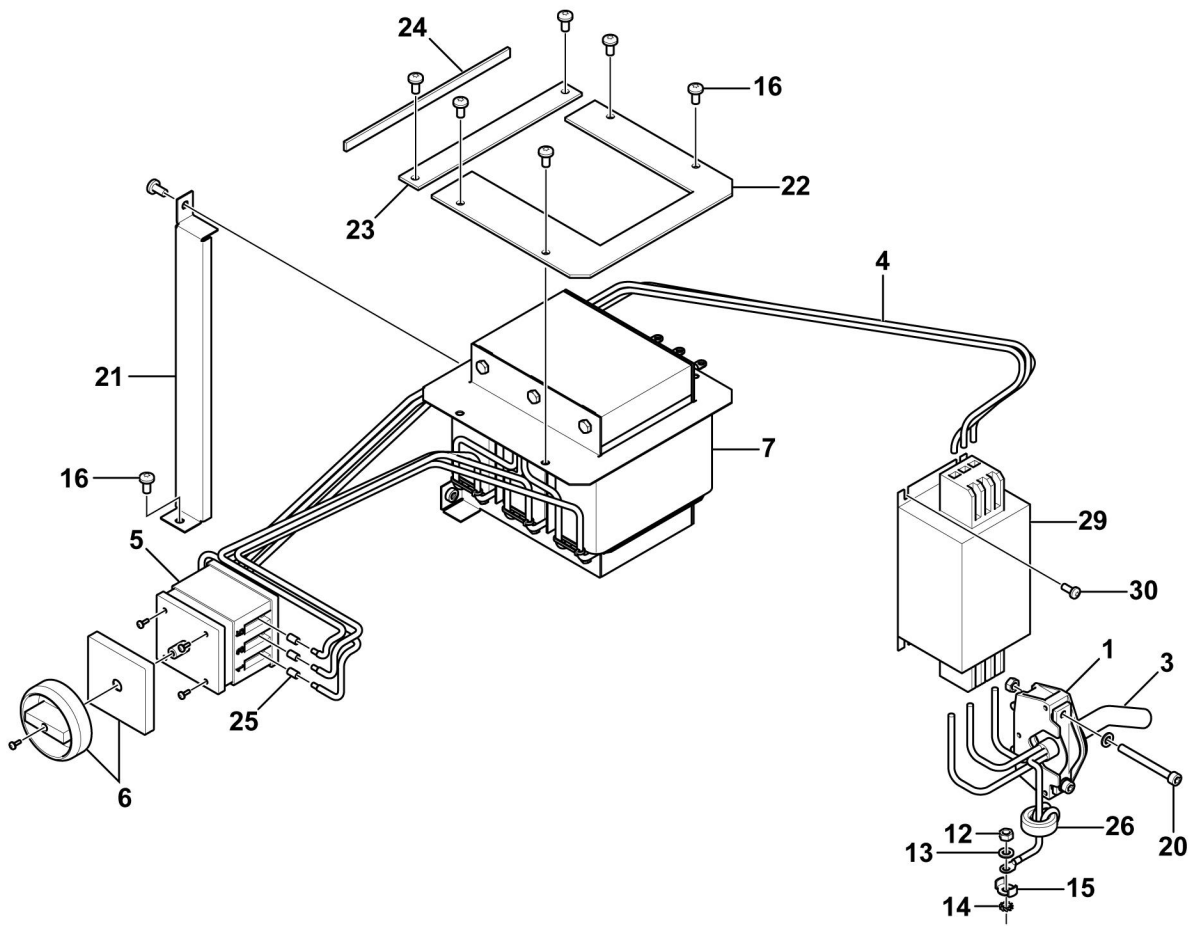


Mains module

Item	Qty	Ordering no.	Denomination	Notes	Component designation
1	1		Cable inlet	Included in item 101	
3	1	0445 581 880	Mains cable		
4	1	0445 581 881	Main switch harness		
5	1	0465 878 001	Mains switch MV		
6	1	0465878002	Main switch Knob MV		
7	1	0445 957 880	AC Inductor		
12	1		Nut	6K steel 8.8 M6	
13	1		Washer	BRB D12/6.4×1.5	
14	1		Washer	lock AZ 6.4×11	
15	1		Washer	Msg (for cable) KB 6.5	
16	10		Screw	MRT M6×12	
20	2		Screw IN6 Steel 8.8 M6×80	Included in item 101	
21	2	0445 565 001	Support bracket AC inductor		
22	1	0446 414 001	Insulation AC inductor		
23	1	0446 415 001	Bracket AC inductor		
24	1		Sealing strip		
25	3	0349 484 784	Cord-end terminals	H10,0/12	
26	1	0194 034 003	Ferrite core		
29	1	0446 867 001	EMC filter		
30	4		Screw MRT M5x8		

Spare parts kit

Item	Qty	Ordering no.	Denomination	Notes
101	1	0464 677 880	Cable inlet kit	Includes 1 cable inlet and 2 screws M6×80

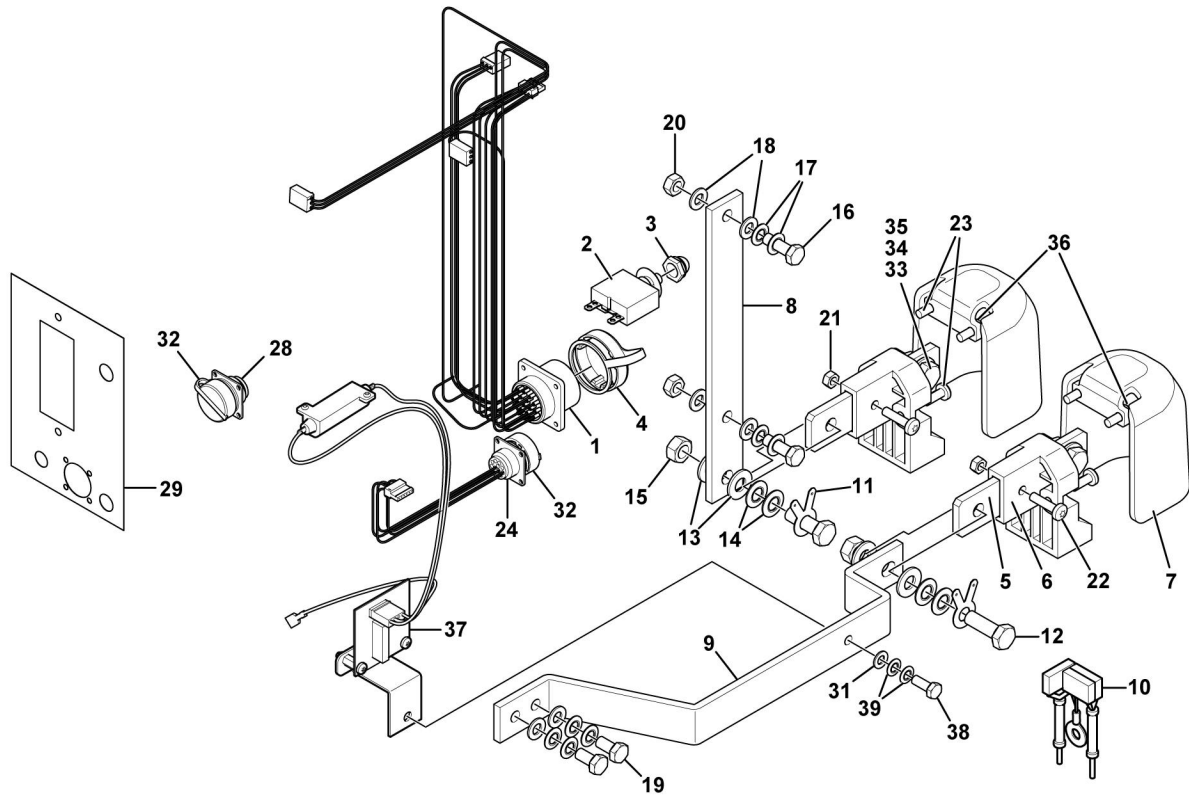


Secondary connection module

Item	Qty	Ordering no.	Denomination	Notes	Component designation
1	1	0445 701 880	Interface harness		
2	1	0193 586 102	Automatic fuse	10 A	
3	1	0455 376 001	Protection cap		
4	1	0465 501 001	Protection cap		
5	2	0445 939 001	Rail-bar connector		
6	2	0445 587 001	Plastic-bar connector		
7	2	0445 588 001	Cover bar connector		
8	1	0445 919 001	Rail	Secondary Inductor to -Ve	
9	1	0445 918 001	Rail	Secondary Heatsink to +Ve	
10	1	0445 906 880	Output capacitor harness		
11	3	0349 312 952	Flat pin connector	M10 6.3×0.8	
12	2		Screw	M6S 10×30	
13	4		Washer	BRB D22/10.5×2	
14	4		Cup spring		
15	2		Nut	6K steel 8.8 M10	
16	2		Screw	M6S 8×25	
17	8		Cup spring	16/8.2	
18	6		Washer	BRB D16/8.4×1.5	
19	2		Screw	M6S 8×12	
20	2		Nut	6K steel 8.8 M8	
21	2		Nut	6K steel 8.8 M6	
22	2		Screw	MRT M6×25	
23	8		Screw	MRT M6×16 Black	
24	1	0445 705 880	Remote connection harness		
28	1	0446 284 880	Cooler harness		
29	1	0445 958 002	Decal rear panel		
30	1		Washer lock	AZ 6.4×11	
31	2		Washer BRB	D12/6.4×1.5	
32	2	0366 285 001	Protection cap		
33	2		Screw	M6S	
34	4		Washer		
35	2		Nut	M12	
36	1	0446 725 001	Protective cover fixing plate		
37	1	0445 910 880	VRD Kit		

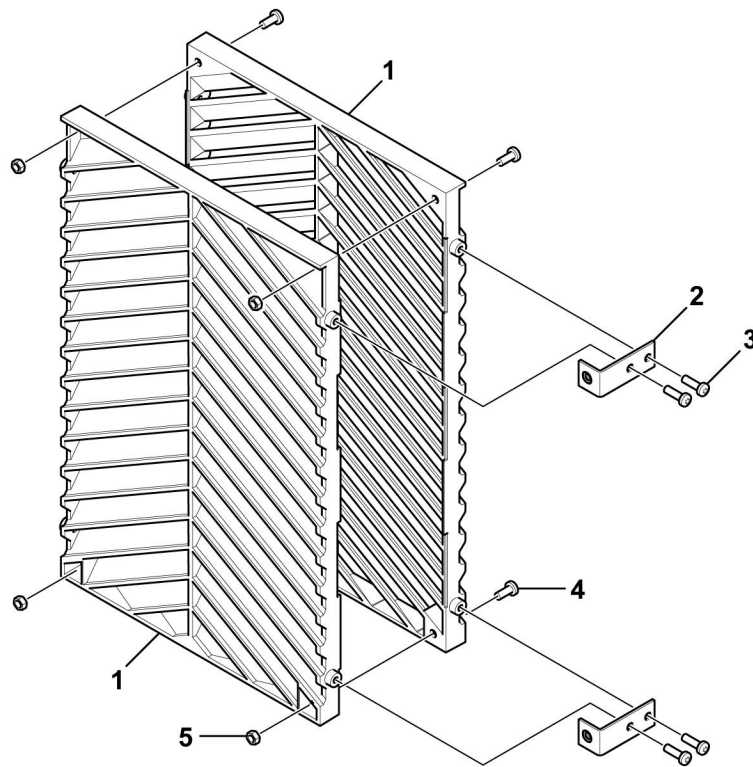
SPARE PARTS

Item	Qty	Ordering no.	Denomination	Notes	Component designation
38	1		Hexagon screw	M6×16	
39	1		Cup spring	A-12, 5-1	



Louver assembly

Item	Qty	Ordering no.	Denomination	Notes	Component designation
1	2	0445 578 001	Louver		
2	2	0445 709 880	Louver fixing plate assembly		
3	4		Screw	Remform Torx 5×16	
4	4		Screw	MRT M5×12	
5	4		Nut	6K steel 8.8 M5	



Power module

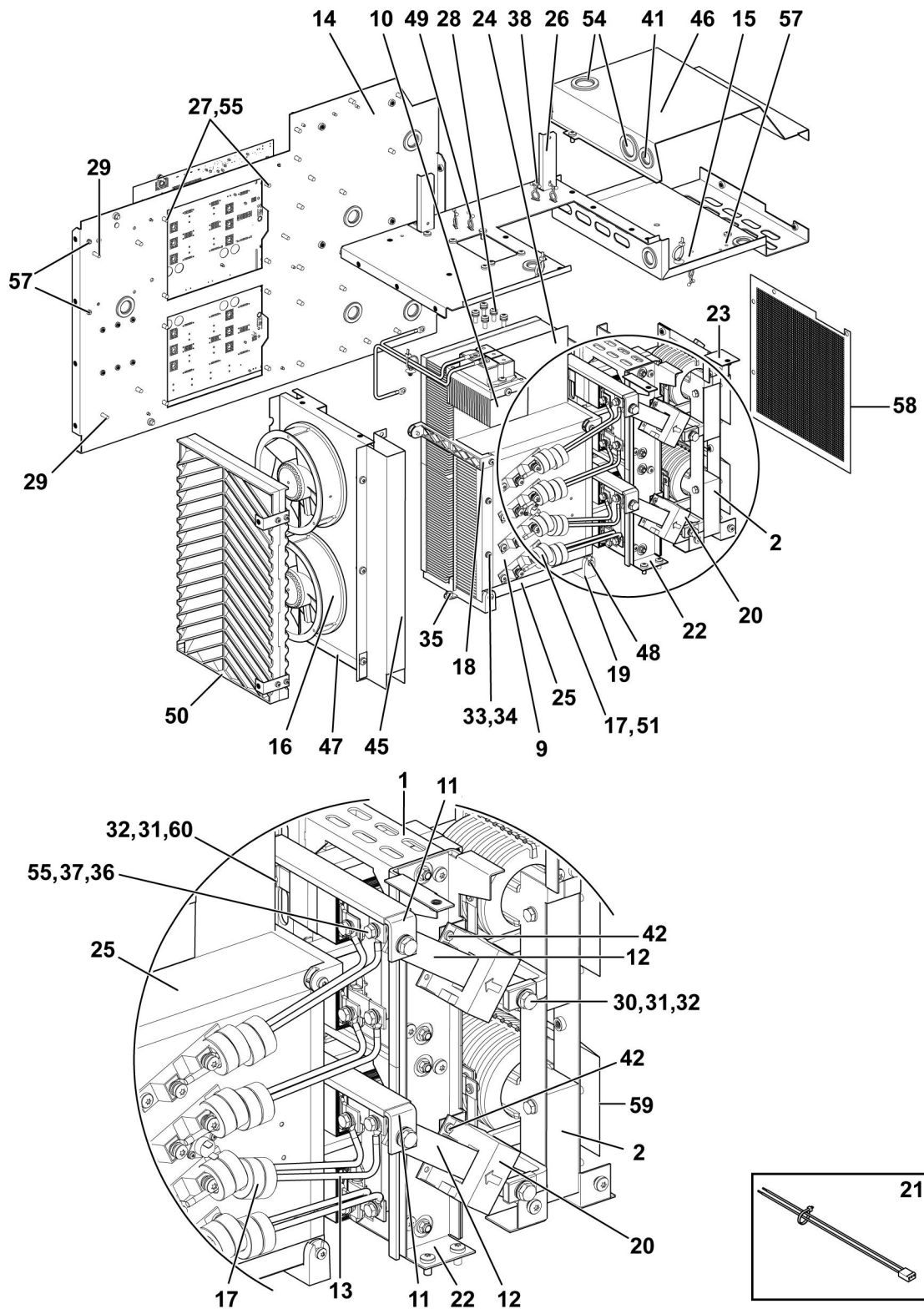
Item	Qty	Ordering no.	Denomination	Notes	Component designation
1	2	0445 901 880	Transformer	7:1	
2	1	0445 930 881	Secondary inductor		
3	1	0440 267 880	Power PCBA		
4	1	0440 277 880	Gate drive board		
5	1	0445 937 880	Gate drive harness		
6	1	0465 349 880	Flat cable with connector	12-pol	
7	1		Top primary inverter	Refer Bottom/top primary inverter	
8	1		Bottom primary inverter	Refer Bottom/top primary inverter	
9	1		Secondary rectifier	Refer secondary rectifier	
10	1		Bridge rectifier	Refer bridge rectifier	
11	2	0445 926 001	Rail	Transformer to Inductor	
12	2	0445 927 001	Rail	Inductor out	
13	1	0445 941 880	Main Transformer harness		
14	1	0445 568 880	Intermediate side assembly		
15	1	0445 573 880	Intermediate top assembly		
16	1		Fan module	Refer fan module	
17	16	0194 034 005	Ferrite ring core		
18	2	0445 585 001	Heat-sink side bracket		
19	2	0445 586 001	Heat-sink bottom bracket		
20	2	0458 063 001	Current sensor		
21	1	0445 985 880	Current sensor harness		
22	1	0445 953 880	Transformer fixing plate		
23	1	0445 934 880	Inductor support plate		
24	1	0445 584 001	Insulation between heat-sink		
25	1	0445 971 001	Nomex secondary heat-sink		
26	2	0445 596 001	IPS board fixing plate		
27	56		Screw	MRT M6×12	
28	17		Screw MRT	Combi M6×16	
29	4		Screw	Remform Torx 5×16	
30	4		Screw	M6S 8×25	

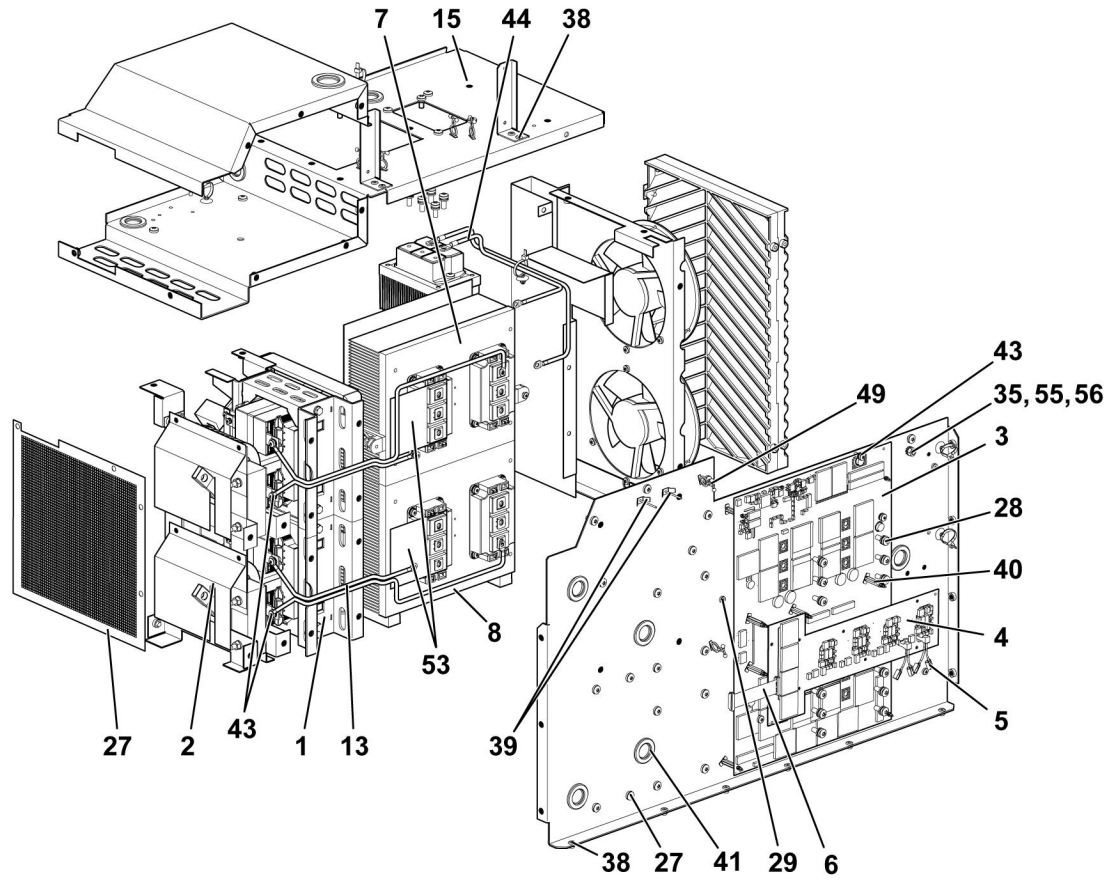
SPARE PARTS

Item	Qty	Ordering no.	Denomination	Notes	Component designation
31	16		Cup spring	12/6.2	
32	12		Washer	BRB D16/8.4×1.5	
33	2		Screw	MRT M5×12	
34	2		Washer	BRB D10/5.3×1	
35	3		Nut	6K steel 8.8 M6	
36	8		Hexagon screw		
37	16		Cup spring	A-12, 5-1	
38	10		Dome head rivet	D4×10	
39	2		Rivet with flat pin		
40	10		Spacer	28.6 mm	
41	9	0194 069 002	Grommet	28 mm	
42	4		Screw	MRT M4×8	
43	8		Screw	MRT-Combi M5x10	
44	1	0445 943 880	DC link harness		
45	1	0445 579 001	Air duct		
46	1	0445 980 880	Auxiliary transformer cover		
47	1	0445 711 880	Fan support plate assembly		
48	4		Screw	MRT M5×16	
49	7		Cable bearer hole	4 mm	
50	1		Louver assembly	Refer louver assembly	
51	8		Clamp	SST-4S	
53	2		Thermal protection insulation	Included in Item 102	
54	2	0194 069 003	Grommet	37 mm	
55	17		Washer	BRB D12/6.4×1.5	
56	1		Washer lock	AZ 6.4×11	
57	4		Tie warp push mount		
58	1	0446 297 001	Mesh		
59	2	0446 298 001	Nomex IP		
60	4		Screw	M6S M8×16	

Spare parts set

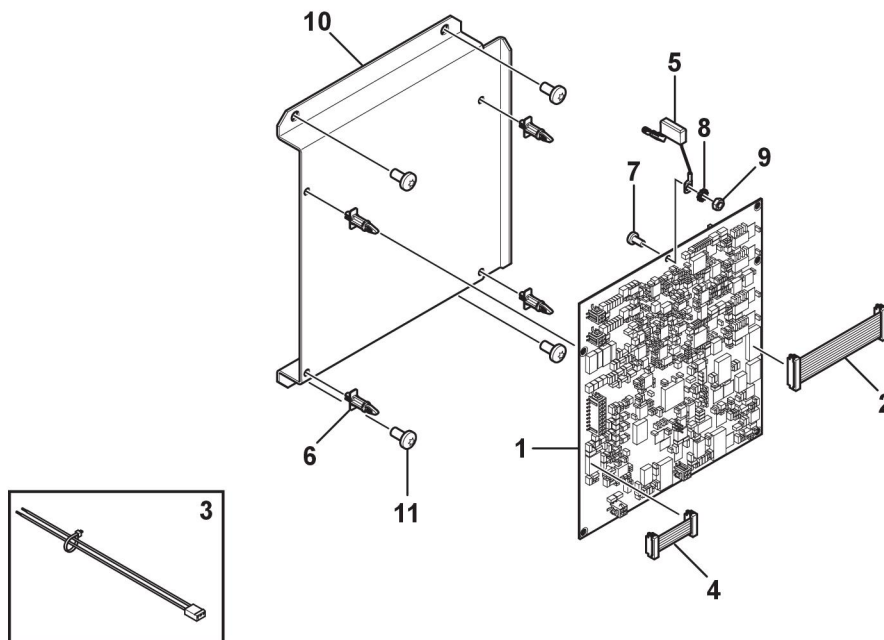
Item	Qty	Ordering no.	Denomination	Notes
102	1	0464 503 880	IGBT module set	Includes 2 IGBT modules, 1 thermal protection insulation, 1 thermal compound and 8 screws M6×20





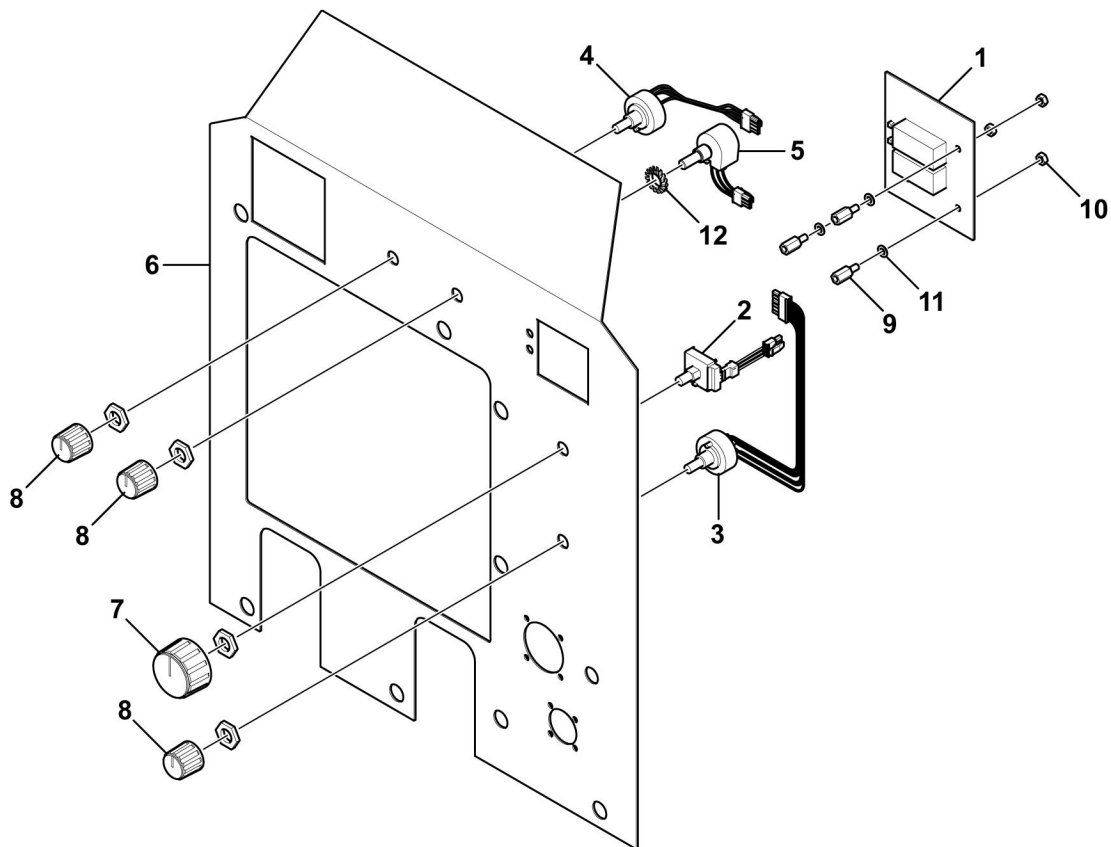
Control module

Item	Qty	Ordering no.	Denomination	Notes	Component designation
1	1	0440 272 880	Control PC-board		
2	1	0465 329 881	Flat cable to PB		
3	1	0445 989 880	IPS - Control PCBA harness		
4	1	0465 349 881	MMC - Control board harness		
5	1	0467 911 888	Capacitor		
6	4	0192 790 104	Spacer	12.7 mm	
7	1		Screw	MRT M4×8	
8	1		Washer lock	AZ 4.3×8 ST	
9	1		Nut	6K steel 8.8 M4	
10	1	0445 597 001	Control board fixing plate		
11	4		Screw	MRT M6×12	



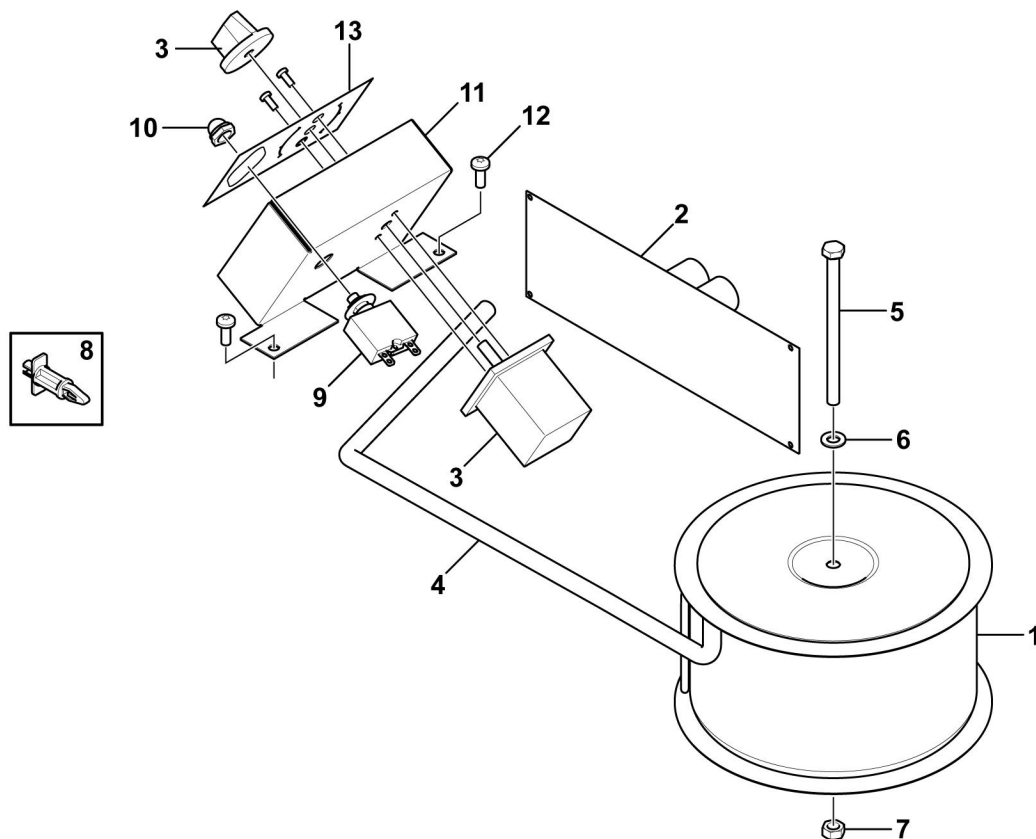
User interface module

Item	Qty	Ordering no.	Denomination	Notes	Component designation
1	1	0440 008 880	Display board		
2	1	0465 327 880	UI harness	With encoder	
3	1	0445 995 880	UI harness	With 5-pos switch	
4	1	0445 904 880	UI harness	With 3-pos switch	
5	1	0445 997 880	UI harness	With pot	
6	1	0445 945 001	Overlay (decal)		
7	1	0321 475 893	Knob	D36-1/4IN	
8	3	0321 475 881	Knob	D21.5-1/4IN	
9	3		Spacer screw	M4×12	
10	3		Nut	6K steel 8.8 M4	
11	3		Washer	BRB D8/4.3×0.8	
12	1		Washer lock	AZ 10.5/18	



IPS module

Item	Qty	Ordering no.	Denomination	Notes	Component designation
1	1	0445 951 002	Auxiliary transformer		
2	1	0440 257 880	IPS Printed Circuit Board Assembly (PCBA)		
3	1	0445 591 880	6-pos rotary switch harness		
4	1	0445 717 880	Auxiliary transformer harness		
5	1		Screw	M6S 8×80	
6	1		Washer	TBRB steel D16/8.4	
7	1		Nut	6K steel 8.8 M8	
8	4		Spacer	12.7 mm	
9	1	0193 586 104	Circuit breaker	20 A	
10	1	0455 376 001	Protective cap		
11	1	0445 707 001	Bracket - selection switch		
12	2		Screw	MRT M6×12	
13	1	0445 972 001	Voltage selection label		

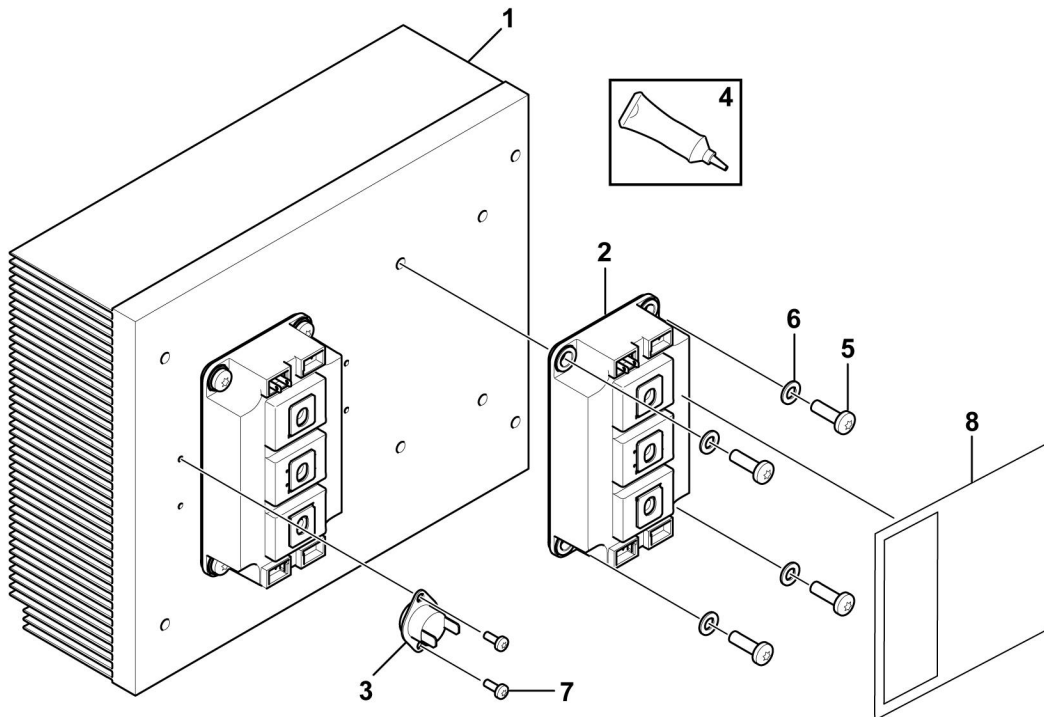


Bottom/Top primary inverter

Item	Qty	Ordering no.	Denomination	Notes	Component designation
1	1	0445 921 001	Primary heat sink		
2	2		IGBT module	Refer item 102	
3	1	0445 981 880	Thermal switch harness		
4	1		Contact paste	Included in item 102	
5	8		Screw	MRT M6×16	
6	8		Washer	BRB D12/6.4×1.5	
7	2		Screw	MRT M3×8	
8	1		Thermal protection insulation	Included in item 102	

Spare parts set

Item	Qty	Ordering no.	Denomination	Notes
102	1	0464 503 880	IGBT module set	Includes 2 IGBT modules, 1 thermal protection insulation, 1 thermal compound and 8 screws M6×20

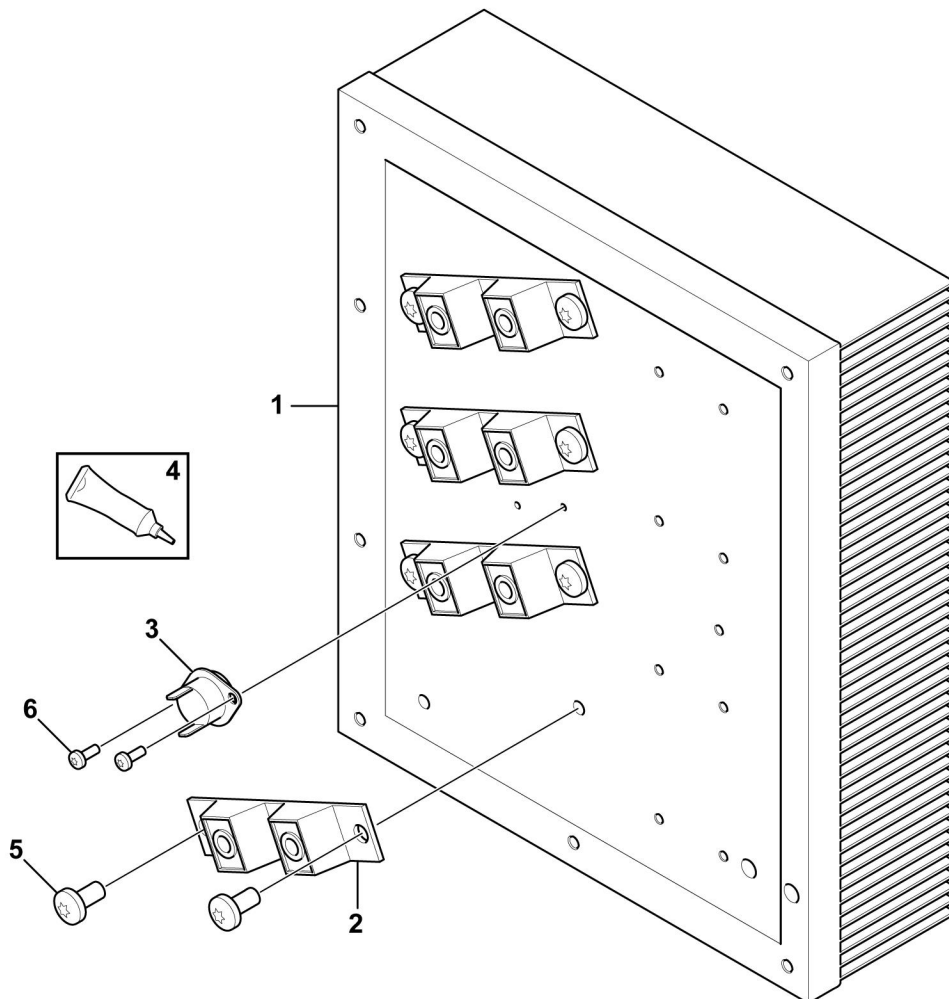


Secondary rectifier module

Item	Qty	Ordering no.	Denomination	Notes	Component designation
1	1	0465 208 005	Secondary heat sink		
2	4		Diode	Refer item 103	
3	1	0445 981 881	Thermal switch harness		
4			Conductive thermal paste	Included in item 103	
5	8		Screw	MRT M6x12	
6	2		Screw	MRT M3x8	

Spare parts set

Item	Qty	Ordering no.	Denomination	Notes
103	1	0464 678 880	Diode module set	Includes 4 diodes, 1 thermal compound and 8 screws M6x12

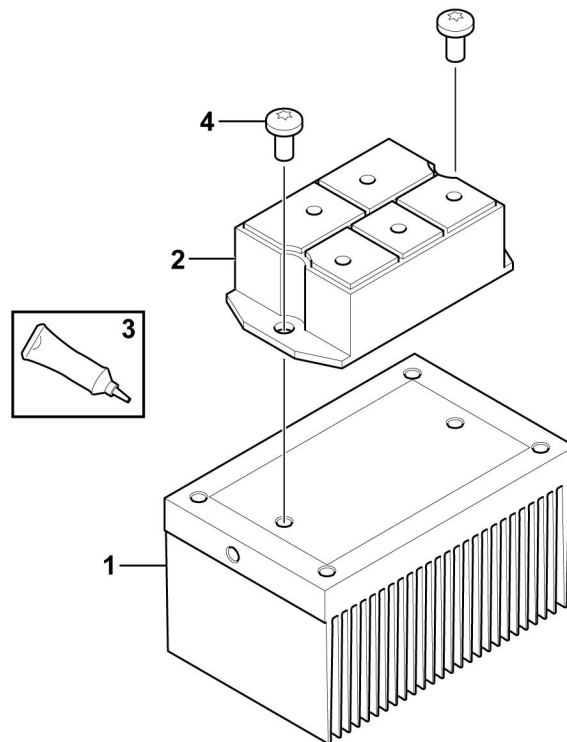


Bridge rectifier module

Item	Qty	Ordering no.	Denomination	Notes	Component designation
1	1	0445 959 001	Rectifier heat sink		
2	1		Rectifier bridge 3-Phase	Refer item 104	
3	0.002 KGM		Contact paste 30g	Included in item 104	
4	2		Screw	MRT M6×12	

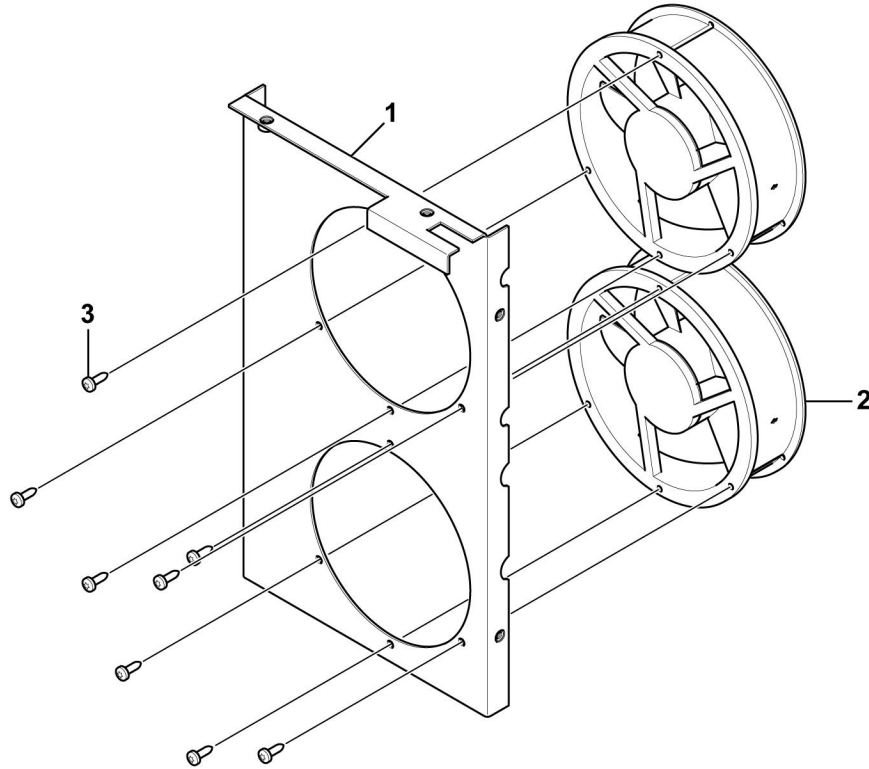
Spare parts set

Item	Qty	Ordering no.	Denomination	Notes
104	1	0464 679 880	Bridge rectifier set	Includes 1 rectifier bridge, 1 thermal compound and 5 screws M6×16



Fan module

Item	Qty	Ordering no.	Denomination	Notes	Component designation
1	1	0445 710 880	Fan fixing plate assembly		
2	2	0445 924 880	Fan		
3	8		Screw	RTS ST 4.8×16	





A WORLD OF PRODUCTS AND SOLUTIONS.



For contact information visit esab.com

ESAB AB, Lindholmsallén 9, Box 8004, 402 77 Gothenburg, Sweden, Phone +46 (0) 31 50 90 00

<http://manuals.esab.com>

